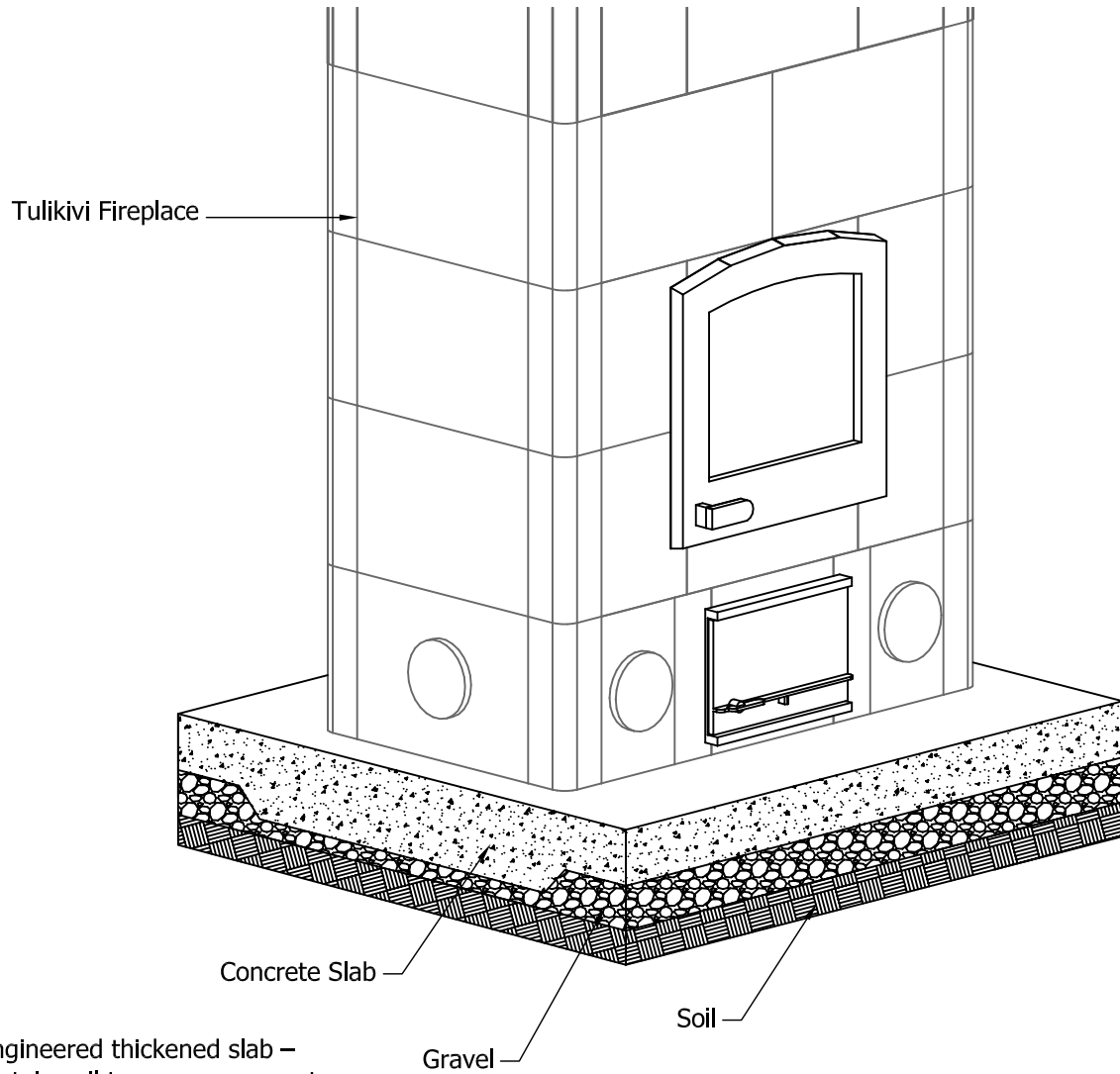


# Slab on Grade Installation

Concrete Slab on Grade: Minimum 4 inch thick poured concrete



Engineered thickened slab –  
certain soil types may support  
the unit without added thickness.

Owner/Contractor is responsible for engineering Concrete Slab to support weight of fireplace.



Tulikivi provides these drawings as a conceptual aid for the North American market. They illustrate some common conditions installers have encountered and general methods which might be considered for addressing such conditions. Please note that this material is not tailored to any particular condition; it is not intended to be a substitute for or supplant the technical manual TTM-1; and it not a warranty with respect to the merchantability, suitability, or fitness for a particular purpose regarding Tulikivi products or methods illustrated. It is not designed to replace good engineering practices, local building codes or the formal and practical training and advice of a qualified builder. The material only suggests ways architects, engineers, builders, installers and owners can enhance their projects by including a Tulikivi fireplace, bakeoven and cookstove.